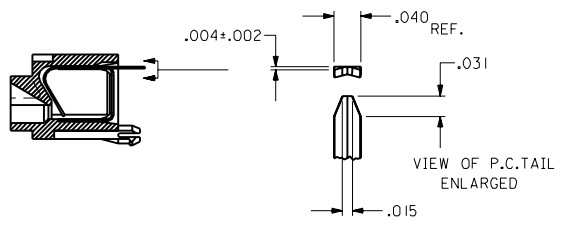
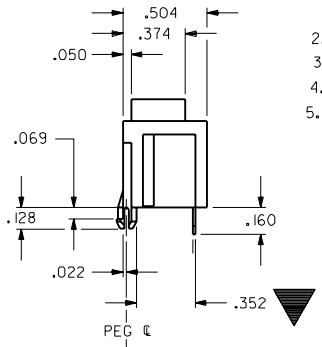
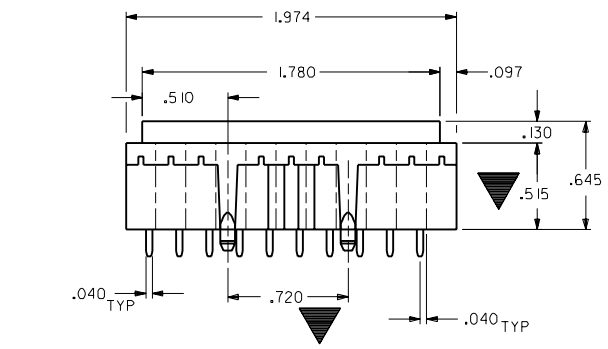
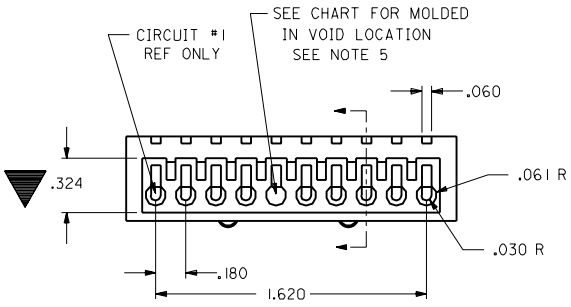
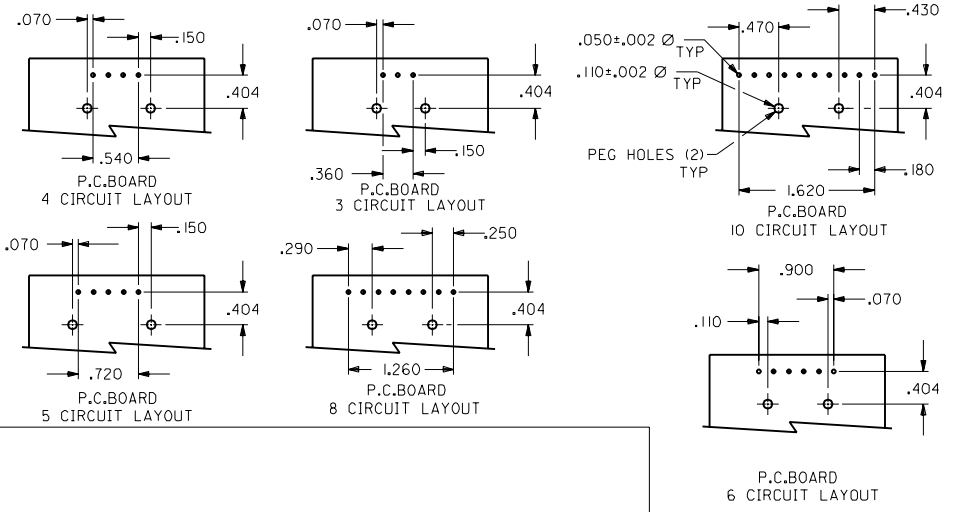


HOUSING TO BE MOLDED IN 3,4,5,6,8&10 CIRCUITS AS SHOWN  
NOTE P.C.BOARD LOCKING PEG LOCATIONS



- NOTES:
1. FOR USE WITH 16AWG SOLID & 18AWG SOLID OR STRANDED WIRE WITH TIN TOP COAT OR 20AWG STRANDED WIRE WITH TIN TOP COAT. INSULATION O.D..079/.118.
  2. SUGGESTED STRIP LENGTH OF MATED WIRE TO BE WITHIN .320-.380 LONG.
  3. MONITORED OR CHARTED DIMENSIONS.
  4. FOR PRODUCT SPECIFICATIONS SEE PS-42732.
  5. TUBE PACK PER: PK-44743-003

MATERIAL:  
HOUSING- POLYESTER (7½% GLASS FILLED); COLOR- WHITE  
TERMINAL- .013 THICK PHOS. BRONZE PRE-TIN PLATE

UNLESS OTHERWISE SPECIFIED TOLERANCES: ANGULAR 1°		DIMENSIONS SHOWN METRIC (INCH)		▽ = 0 ▼ = 9 REVISE ONLY ON CAD SYSTEM	
INCH		METRIC		TITLE	
3 PLACE ± .005	---	3 PLACE ± .005	---	WIRE TRAP ASSEMBLY	
2 PLACE ± .010	± .023	2 PLACE ± .010	± .023	PART NO. SEE CHART	
1 PLACE ---	± .085	1 PLACE ---	± .085	DRAWING NO. SDA-42732-*	
DRAFT WHERE APPLICABLE MUST REMAIN WITHIN DIMENSIONS		FILE NAME S42732X1		THIS DRAWING CONTAINS INFORMATION THAT IS PROPRIETARY TO MOLEX INC. AND SHOULD NOT BE USED WITHOUT WRITTEN PERMISSION.	
DRW. BY EDGLEY	CHKD. BY LENZ	SCALE 2:1	MFG. SHL. REV.		
APP'D. BY LENZ			MFG. SHL. REV.		

LTR.	REVISIONS	LTR.	REVISIONS

ADD/REL -2083	UCR1999-0528	99-2-12	SAMIEC
REV TUBE TO WW ST	UCR2000-0817	8-10-00	SAMIEC
ADD/REL 2102	UCR1999-0598	4-4-99	SAMIEC
REL -2082	UCR1999-0316	98-11-10	SAMIEC
REL -2082	UCR1999-0274	98-10-26	SAMIEC

2	R4
1	S

DATE 10/26/90

FILE NAME	S42732X1	DIV.	C
SIZE			

